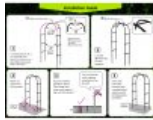
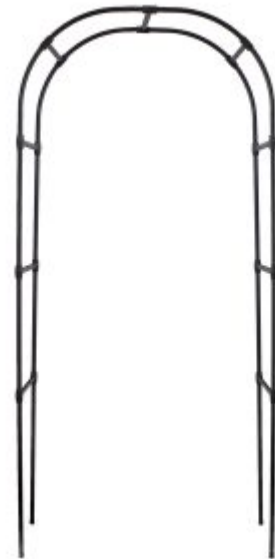




## Classic Deco Arch

Garden Art / Garden Arches

- Attractive garden entrance
- Supports vines and flowering climbers
- Classic and decorative
- Features a twist design
- Available at selected Bunnings New Zealand only. Please check with your local NZ store.



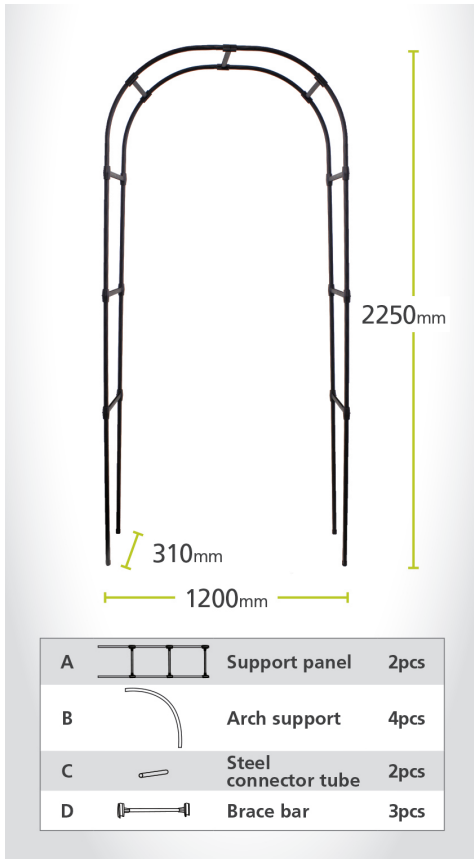
### DECORATIVE GARDEN ACCENT

Whites Classic Deco Arch is perfect as an accent or attractive garden entrance, featuring a traditional shape to enhance formal and contemporary gardens.

Great for supporting flowering vines or climbers and framing your garden.  
Easy to assemble, black polymer-coated steel.

Measures: 2250mm high, 1200mm wide & 310mm deep.

See illustration and components included below:



## Handy Hints:

- Always wear protective gloves and glasses for your safety while installing the arch
- Lay out sections on flat ground before construction; build on flat surface
- We recommend the assistance of a second person to help build if required
- Reinforce arch in extreme weather.
- Please use arch only for supporting flowers, not for other purposes. It is not a toy for children.
- Do NOT climb apparatus

## PRODUCT SPECIFICATIONS

Code	Product Name	Height (mm)	Width (mm)	Depth (mm)	Finish	Colour
18065	Classic Deco Arch	2250	1200	310	Polymer Coating	Black